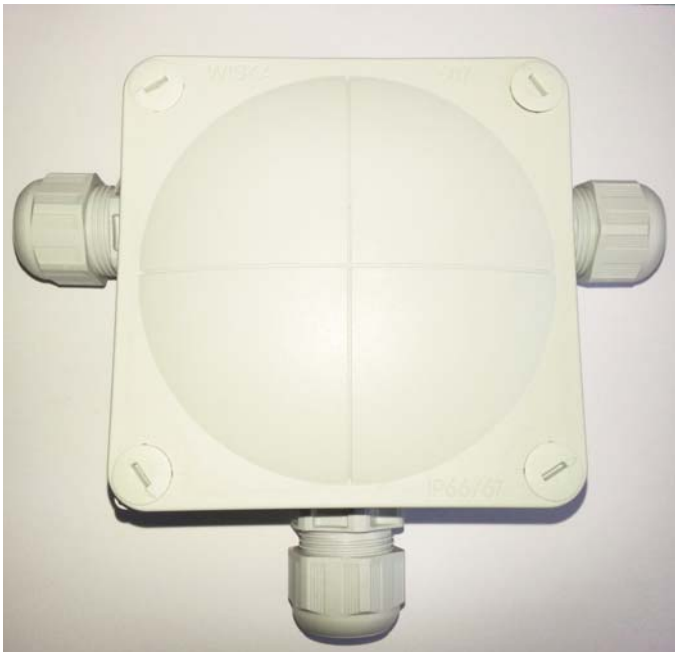


GDA-JB-485 / GDA-JB-485-R

RS485 Signals and Power Supply Junction Box



GENERAL DESCRIPTION

GDA-JB-485 junction boxes are suitable for indoor and outdoor applications and useful to create a backbone line for serial loop signals and power supply able to give continuity to the connection loop among different devices.

They are suitable for each type of device connected in addressable systems with the possibility to disconnect any device without the risk to interrupt the main backbone line. Small dimensions and simple to install with their wall mounting IP66/67 housing.

High stability Resistance to fats, mineral oil, diesel, weak acids, strong alkalis and alcohol.

For extreme conditions Impact-resistant, shatter-proof, weather- and UV-resistant, flame-retardant and halogen-free.

Mounting clips or internal openings outside the sealing area.

Driver for RS485 signal regeneration (only GDA-JB-485-R version)

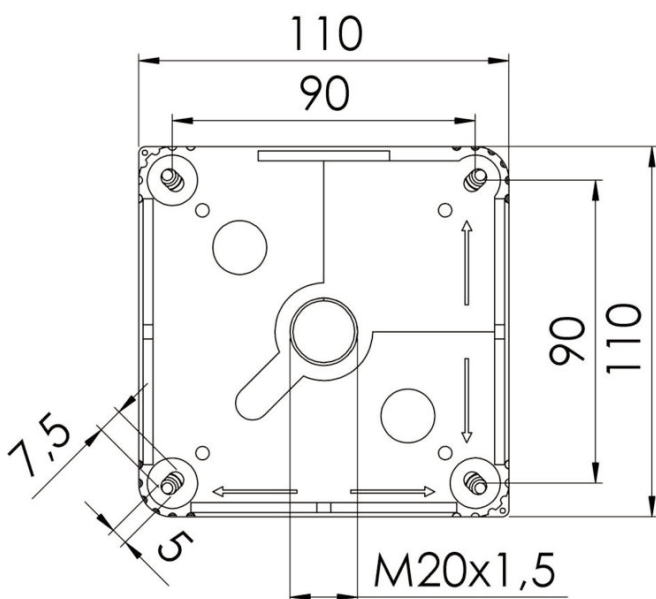
Housing General Characteristics

- Protection class IP 66/67
- Temperature range -30 °C - 100 °C
- Installation temp. -5 °C - 60 °C
- Material Polypropylene, glass-fibre reinforced, Gasket TPE (thermoplastic elastomer)
- Cable holders Diam. 9 - 17mm IP68 - Free Layout/Positioning



GDA-JB-485-R version

Fixing Dimensions



ENVIRONMENT SPECIFICATIONS

EMC	According to EN61000-4
Stocking Temp.	-30 to 85 °C
Working Temp.	-20 to 70 °C
Relative Humidity	90% R.H. n.c.

MECHANICAL SPECIFICATIONS

Dimensions	110 x 110 x 66 mm
Mounting	Wall mounting
Weight	0,2 Kg

ELECTRICAL SPECIFICATIONS

Terminals	Stainless Steel Cage tension spring
Max Current	16 A
Max cable section	28-14 AWG / 2,5mm ²

Copyright Oggioni s.a.s.

